



TORINO FIREPLACE INSERT 1605I

Torino Fireplace Insert



There Are Many Door and Trim Options, Including Plated Gold, Satin, Onyx and Painted. Shown Is the Torino Fireplace Insert With Satin Door and Satin Trim.

Torino Fireplace Insert

The Perfect Addition To Your Fireplace!

- Operates During Power Failures
- Easy To Clean Hinged Door
- 33,200 Btu Input Natural Gas or LP Gas
- Illuminated Oversized Full-View Door
- Limited-Lifetime Warranty Includes 5 Full Years Parts & Labor
- Pyro-Glo® Ceramics Logs & Burner
- 1400 Degree Ceramic Glass
- Electronic Ignition With Option of Standing Pilot or Intermittent Pilot For Improved Efficiencies
- Wireless Remote Thermostat Allows For:
 - Flame Height Adjustment
 - Variable Fan Speed
 - Illuminated Door Light Control

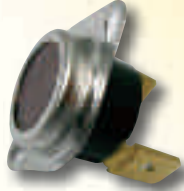


Installers will Appreciate the Dual 3" Connection For Its Compact Size In Confined Space Applications

The Anatomy of a Great Fireplace Insert

Snap Disc

The temperature sensing snap disc automatically turn your fans on and off when your Blaze King® is being used.



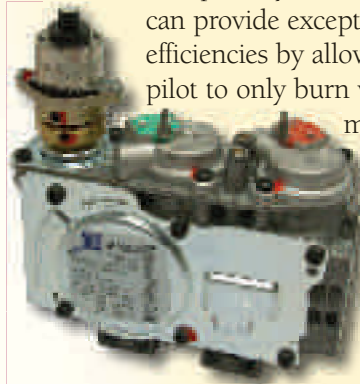
Fan Assembly

This is a fan assembly. There are many types used, but all essentially do the same thing, help to move hot air around your home. Blaze King® gas appliance fans are covered for a full five years, parts & labor!



Gas Valve

This is a high-tech electronic ignition gas control valve. It regulates gas flow to your appliance and has many features, including the choice of either intermittent or standing pilot. By selecting the intermittent option, your Torino Insert



can provide exceptional efficiencies by allowing the pilot to only burn while the main burner is operating. When you purchase a Blaze King® gas appliance, the valve & labor are both covered for a full 5 years.

Wireless Remote

This is a wireless remote thermostat. With this handy device you can regulate flame height and control heat output. You can also control fan speed and turn the illuminated halogen viewing door lamp on and off. An easy to read, illuminated digital display makes it easy to dial in your comfort zone.



The superior design and engineering embodied in the Torino Insert produces a supremely clean and attractive burning direct vent appliance suited to even the most difficult installations. Including high altitude applications. With a simple installation of approved liner, you can safely burn either liquid propane or natural gas. Approved for use in any home, including mobile home applications.

Your Torino Insert comes standard with a special halogen light to illuminate the firebox year round. By simply utilizing this special lighting effect, a beautiful glow is cast upon the stunning logs and brick panels. When combined with the Torino's optional Ember Screen, as shown below, a filtered pattern makes the fireplace even more special in appearance.



Blaze King

Blaze King® Industries
www.blazeking.com

Torino Fireplace Insert

Clearances And Specifications

Performance

Natural Gas	Propane Gas	
33,200	33,800	Max. Input btu/hr
65.7%	65.7%	Steady State Efficiency
55.6%	55.6%	Canadian P4 Efficiency
23,800	25,500	Min. Input btu/hr

Shroud Dimensions

Width	43" / 1092mm
Height	29 1/2" / 749mm

Unit Dimensions

Width	32 3/4" / 832mm
Height	22 1/4" / 565mm
Depth	13 5/8" / 346mm

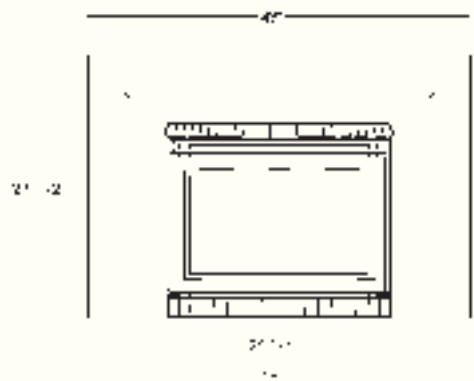
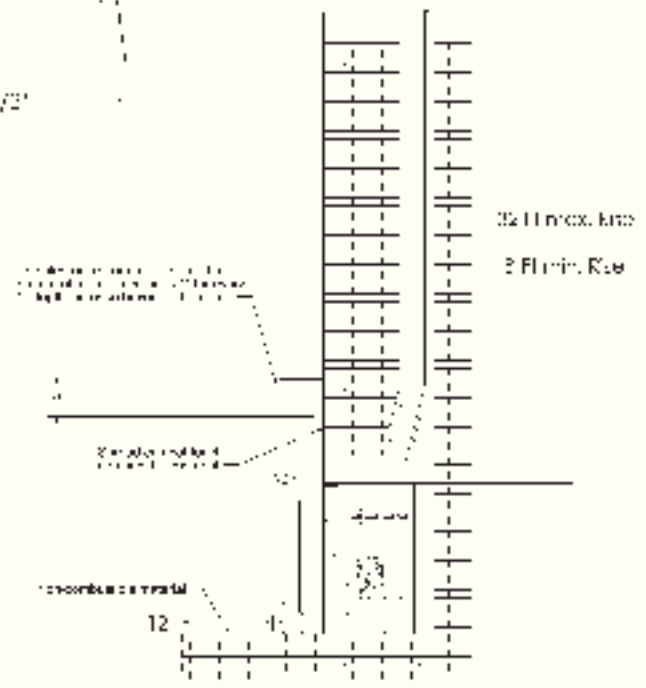
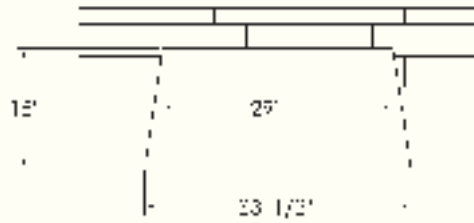
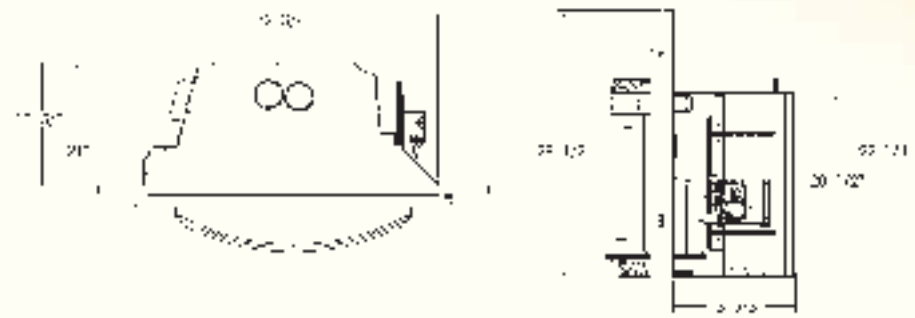
Flue Dimensions

Direct Vent 3/3	3" / 76mm
-----------------	-----------

Minimum Fireplace Opening

Width	33 1/2" / 851mm
Width (Inside)	29" / 736mm @ 15" in depth
Height	24 1/2" / 622mm
Depth	15" / 381mm

Clearance from shroud to sidewall - 3"



NOTICE: Improper installation of your gas appliance or failure to operate it according to the guidelines detailed in the owners manual, may negate your warranty and endanger your home or family. Contact local building or fire officials about restrictions and installation requirements in your area. Photos and illustrations are for descriptive purposes only. Changes dictated by the manufacturer's continuing design improvement programs may not be shown. These products are covered by one or more patents in the United States, Canadian and other countries. All Blaze King® Industries products are manufactured under license agreement from: Blaze King® Industries, 146 A Street Walla Walla, WA. 99362 and in Canada by Blaze King® Systems Inc. 1290 Commercial Way, Penticton BC V2A3H5. Design and specifications subject to change without notice. Rev. 02/10 CP77155 5M

The Blaze King Torino is listed and certified for installation in the U.S.A. and Canada under the following standards: ANSI Z21.88b-1999/CSA 2.33b-M99 Vented Gas Fireplace Heater CAN/CGA-2.17-M91 Gas Fired Appliances for Use at High Altitudes. This appliance may be installed in a manufactured home (U.S.A. only). Mobile home installations (USA and CANADA) must be done in accordance with the manufacturer's instructions and the manufactured home construction and safety standard, Title 24 CFR, Part 3280 or Standard for Installations in Mobile Homes, CAN/CSA Z240 MH. This appliance is for use only with the type(s) of gas indicated on the rating plate.

Pyro-Glo® is a registered trade mark of Pyrotek, Inc.



Your Authorized Dealer:

Blaze King® Industries
www.blazeking.com